

**Candlewood Suites – Standardized Room Decor
Haven Scheme – Public Area**

InterContinental Hotels Group

Design & Construction
Three Ravinia Drive, Suite 100
Atlanta, GA 30346

AREA: Fitness Center, Guest Laundry, Sales, BOH Laundry

MANUFACTURER:

Hunter Douglas Hospitality
3121 Maple Drive, Ste 111
Atlanta, GA 30305
Rep: Carol Addison
P: 404-863-3922
E: caroladdisonsalesgroup.com

REP FIRM:

SPEC NO:

CP-600

DESCRIPTION:

Wooden Blinds at Fitness Center, Guest Laundry, Sales Office, and BOH Laundry

MODEL/STYLE NO:

2" Faux Wood Blinds FR

FINISH/COLOR:

#75 Alabaster

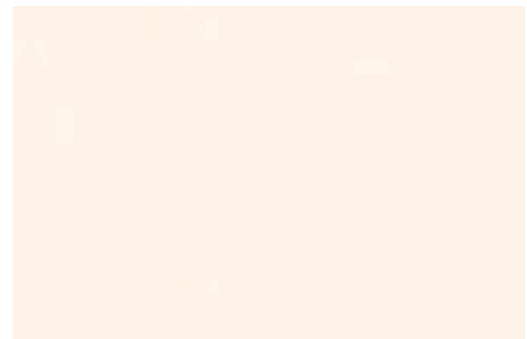
DIMENSIONS:

To be field verified on-site (window size is approximately 5'-0" W x 4'-0" H)

Fabrication to be in accordance with IHG standards as stated in the FF&E Construction and Specification Guidelines and as follows:

NOTES:

1. Refer to image below for blinds.
2. Product to be of contract quality and suitable for commercial use.
3. Per manufacturer, fabric meets or exceeds the following requirements: Passes NFPA 701.
4. Blinds to be inside mounted within window mullion.
5. Cord tilt to be located on left side of blind. Lift cord to be located on right side of blind.
6. Fabricator to verify all site conditions, and all dimensions. Fabricator to take field measurements before preparation of shop drawings and fabrication to ensure proper fitting of window blind system.
7. Made from polymer and composite materials that resist moisture and will not warp or peel.
8. All metal parts of hardware must be non-corrosive, guaranteed against rust & corrosion, suitable for use in varying climatic conditions.
9. Products that arrive to property with defects, malfunctions, or lacking in specification requirements in any way must be re-placed with new product that meets specifications within 30 days of first delivery to property. All concealed damages, defects, etc. to be replaced accordingly.
10. Refer to drawings for location.



Not to Scale / Not for Color / Design Intent Only

QUANTITY: TBD

UNIT COST: \$ TBD

TOTAL COST: \$ TBD

ISSUE DATE:

10/21/11

REVISION DATE:

REV. NO:

SPEC NO:

CP-600

All orders must be marked as specified by IHG. All installed fabrics, upholstery, carpet, wallcovering, and other finish materials must meet local fire codes and regulations. Manufacturer must provide flame certificate to owner/purchaser at time order is shipped. Fabricator and/or installer must confirm the exact quantities required. All substitutions must be approved by IHG prior to ordering. Manufacturers must provide maintenance instructions. All shop drawings, finish samples, artwork and/or strike-offs must be submitted to IHG, for approval prior to production.

**Candlewood Suites – Standardized Room Decor
Haven Scheme – Public Area**

InterContinental Hotels Group

Design & Construction
Three Ravinia Drive, Suite 100
Atlanta, GA 30346

AREA: Corridors

MANUFACTURER:

Hunter Douglas Hospitality
3121 Maple Drive, Ste 111
Atlanta, GA 30305
Rep: Carol Addison
P: 404-863-3922
E: caroladdisonsalesgroup.com

REP FIRM:

SPEC NO: CP-601

DESCRIPTION: Wooden Blinds at Corridors

MODEL/STYLE NO: Nature Made Woods FR

FINISH/COLOR: Wenge

DIMENSIONS: **To be field verified on-site** (window size is approximately 4'-0" W x 4'-0" H)

Fabrication to be in accordance with IHG standards as stated in the FF&E Construction and Specification Guidelines and as follows:

NOTES:

1. Refer to image below for blinds.
2. Product to be of contract quality and suitable for commercial use.
3. Per manufacturer, fabric meets or exceeds the following requirements: Passes NFPA 701.
4. Blinds to be inside mounted within window mullion.
5. Cord tilt to be located on left side of blind. Lift cord to be located on right side of blind.
6. Fabricator to verify all site conditions, and all dimensions. Fabricator to take field measurements before preparation of shop drawings and fabrication to ensure proper fitting of window blind system.
7. Made from polymer and composite materials that resist moisture and will not warp or peel.
8. All metal parts of hardware must be non-corrosive, guaranteed against rust & corrosion, suitable for use in varying climatic conditions.
9. Products that arrive to property with defects, malfunctions, or lacking in specification requirements in any way must be re-placed with new product that meets specifications within 30 days of first delivery to property. All concealed damages, defects, etc. to be replaced accordingly.
10. Refer to drawings for location.



Not to Scale / Not for Color /Design Intent Only

QUANTITY: TBD

UNIT COST: \$ TBD

TOTAL COST: \$ TBD

ISSUE DATE:

10/21/11

REVISION DATE:

REV. NO:

SPEC NO:

CP-601

All orders must be marked as specified by IHG. All installed fabrics, upholstery, carpet, wallcovering, and other finish materials must meet local fire codes and regulations. Manufacturer must provide flame certificate to owner/purchaser at time order is shipped. Fabricator and/or installer must confirm the exact quantities required. All substitutions must be approved by IHG prior to ordering. Manufacturers must provide maintenance instructions. All shop drawings, finish samples, artwork and/or strike-offs must be submitted to IHG, for approval prior to production.

**Candlewood Suites – Standardized Room Decor
Haven Scheme – Public Area**

InterContinental Hotels Group

Design & Construction
Three Ravinia Drive, Suite 100
Atlanta, GA 30346

AREA: Meeting Room / Conference Room

MANUFACTURER:

Fabriquilt
Attn: Barry Oltsik
901 East 14th Avenue
North Kansas City, MO 64116
P: 816-421-2000
F: 816-471-2853
E: barry@fabri-quilt.com

REP FIRM:

SPEC NO:

CP-602

DESCRIPTION:

Window Treatment at Optional Meeting Room or Conference Room

MODEL/STYLE NO:

Custom Panels with Grommet Top on Decorative Hardware – Window treatment to consist of (2) Full-length Stationary Side Panels, (2) full-length traversing, two-way draw sheer panels

HARDWARE:

HunterDouglas HDH2011 Decorative Hardware

DIMENSIONS:

To be field verified by Fabricator/Installer

CONSTRUCTION:

See Candlewood Suites Window Treatment Preamble for Additional General Construction and Guidelines

Fabrication to be in accordance with IHG standards as stated in the FF&E Construction and Specification Guidelines and as follows:

GENERAL NOTES:

1. Products must be contract quality and suitable for commercial use.
2. Products must meet or exceed all applicable state and local codes.
3. Refer to CP-602A for drapery side panels and CP-602B for sheer panels.

GENERAL CONSTRUCTION:

1. Refer to drawing below for window treatment design intent. Refer to furniture plan for additional information.
2. All hems to be blind stitched; hems must be even and not bow due to weights or irregular stitches.
3. Batons to be clear acrylic, front mounted, 4'0" long.
4. Pins to be stainless steel.
5. Fabricator to verify all site conditions, dimensions, materials required for installation, and confirm fabric yardages.
6. Pattern-matched at seams; seams to be hidden behind pleats.

QUANTITY: TBD

UNIT COST: \$ TBD

TOTAL COST: \$ TBD

ISSUE DATE:

10/21/11

REVISION DATE:

REV. NO:

SPEC NO:

CP-602

All orders must be marked as specified by IHG. All installed fabrics, upholstery, carpet, wallcovering, and other finish materials must meet local fire codes and regulations. Manufacturer must provide flame certificate to owner/purchaser at time order is shipped. Fabricator and/or installer must confirm the exact quantities required. All substitutions must be approved by IHG prior to ordering. Manufacturers must provide maintenance instructions. All shop drawings, finish samples, artwork and/or strike-offs must be submitted to IHG, for approval prior to production.

**Candlewood Suites – Standardized Room Decor
Haven Scheme – Public Area**

InterContinental Hotels Group

Design & Construction
Three Ravinia Drive, Suite 100
Atlanta, GA 30346

AREA: Meeting Room / Conference Room

CONSTRUCTION NOTES:

1. Side Panels: Fabrication to consist of (1) pair stationary side panels, lined with 2-pass blackout, FR white lining. Panel size: approx. 48" w x 96" long. Double 4" bottom hem. 4" header with buckram in header. 2.5" Inside diameter Brushed Nickel grommets at top, spaced approx. 8" apart. Panels to be mounted on decorative rods, and extend to the floor with approximately 1" clearance AFF. Refer to CP-602A for fabric for side panels.
2. Sheer Panel: Fabrication to consist of (1) pair of two-way, center-draw sheer drapery panels. 200% fullness minimum. Unlined. Finished width of rod: 84". Finished length of treatment: 96" l. Double 4" bottom hem with continuous chain weight in hem. 4" header with buckram in header. 2.5" Inside diameter Brushed Nickel Grommets at top, spaced approx. 8" apart. Sheer panels to be mounted on decorative rods, and extend to the floor with approximately 1" clearance AFF. Refer to CG-602B for fabric for sheer panels.
3. Hardware: Wall-mounted hardware to be HunterDouglas HDH2011 Decorative Hardware. Size: 94" w x 2" dia. Mounting brackets: HDHBKT – Adjustable double rod wall mount bracket. Finials: Contemporary. Finish: Powder-coated – brushed aluminum. NOTE: Hardware provided by: Carol Addison, Addison Sales Group, P 404-863-3922, F 801-894-3061, E caroladdison@addisonsalesgroup.com Refer to drawing below for additional information.



Not to Scale / Not for Color

QUANTITY: TBD

UNIT COST: \$ TBD

TOTAL COST: \$ TBD

ISSUE DATE:

10/21/11

REVISION DATE:

REV. NO:

SPEC NO:

CP-602

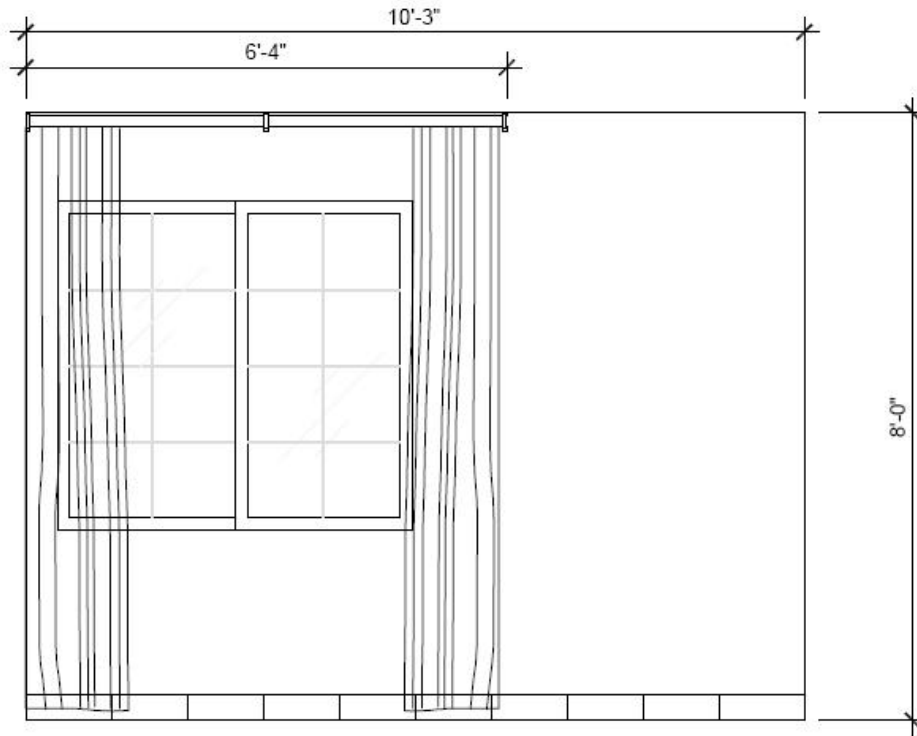
All orders must be marked as specified by IHG. All installed fabrics, upholstery, carpet, wallcovering, and other finish materials must meet local fire codes and regulations. Manufacturer must provide flame certificate to owner/purchaser at time order is shipped. Fabricator and/or installer must confirm the exact quantities required. All substitutions must be approved by IHG prior to ordering. Manufacturers must provide maintenance instructions. All shop drawings, finish samples, artwork and/or strike-offs must be submitted to IHG, for approval prior to production.

**Candlewood Suites – Standardized Room Decor
Haven Scheme – Public Area**

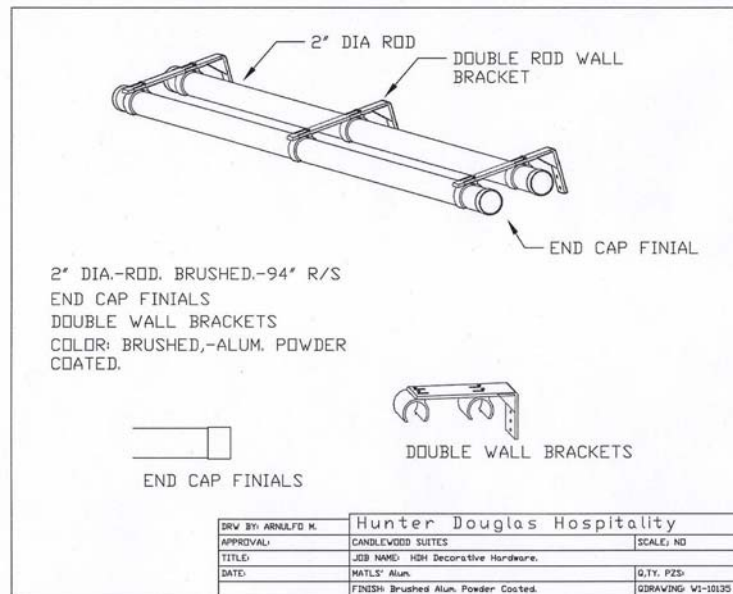
InterContinental Hotels Group

Design & Construction
Three Ravinia Drive, Suite 100
Atlanta, GA 30346

AREA: Meeting Room / Conference Room



Not to Scale / Design Intent Only



Not to Scale / Design Intent Only

QUANTITY: TBD

UNIT COST: \$ TBD

TOTAL COST: \$ TBD

ISSUE DATE:
10/21/11

REVISION DATE:

REV. NO:

SPEC NO:

CP-602

All orders must be marked as specified by IHG. All installed fabrics, upholstery, carpet, wallcovering, and other finish materials must meet local fire codes and regulations. Manufacturer must provide flame certificate to owner/purchaser at time order is shipped. Fabricator and/or installer must confirm the exact quantities required. All substitutions must be approved by IHG prior to ordering. Manufacturers must provide maintenance instructions. All shop drawings, finish samples, artwork and/or strike-offs must be submitted to IHG, for approval prior to production.

**Candlewood Suites – Standardized Room Decor
Haven Scheme – Public Area**

InterContinental Hotels Group

Design & Construction
Three Ravinia Drive, Suite 100
Atlanta, GA 30346

AREA: Meeting Room / Conference Room

MANUFACTURER:

Fabricut
Attn: Elizabeth Hassell
9303 East 46th Street
Tulsa, OK 74145
P: 800-999-5005 x 6314
F: 918-665-1177
E: elizabeth.hassell@fabricut.com

REP FIRM:

Cindy Royals
P: 770-792-7156
E: Cindy.Royals@Fabricut.com

SPEC NO: CP-602A

DESCRIPTION: Fabric at Drapery Side Panel

Pattern: Ogee
Color: Silver Mink
Content: 100% Inherent FR Polyester
Width: 54"
Repeat: 6.5" V / 14" H
Codes: Passes NFPA 701 Inherently

Fabrication to be in accordance with IHG standards as stated in the FF&E Construction and Specification Guidelines and as follows:

NOTES:

1. Refer to image below for fabric.
2. Fabric must be of contract quality and suitable for commercial use.
3. Fabricator to verify all site conditions, dimensions, materials required for installation, and confirm fabric yardages.
4. Products must meet or exceed all applicable state & local codes.
5. Manufacturer to ship all excess fabric to property for attic stock.
6. Fabric must be treated for fire retardancy or meet applicable fire codes.
7. No products shall infringe on any third party patents, copyrights, trademarks or other intellectual property rights.



Not for Color / Not to Scale / Design Intent Only

QUANTITY: TBD

UNIT COST: \$ TBD

TOTAL COST: \$ TBD

ISSUE DATE:

10/21/11

REVISION DATE:

REV. NO:

SPEC NO:

CP-602A

All orders must be marked as specified by IHG. All installed fabrics, upholstery, carpet, wallcovering, and other finish materials must meet local fire codes and regulations. Manufacturer must provide flame certificate to owner/purchaser at time order is shipped. Fabricator and/or installer must confirm the exact quantities required. All substitutions must be approved by IHG prior to ordering. Manufacturers must provide maintenance instructions. All shop drawings, finish samples, artwork and/or strike-offs must be submitted to IHG, for approval prior to production.

Candlewood Suites – Standardized Room Decor
Haven Scheme – Public Area

InterContinental Hotels Group

Design & Construction
Three Ravinia Drive, Suite 100
Atlanta, GA 30346

AREA: Meeting Room / Conference Room

MANUFACTURER:
P/Kaufmann Contract
Attn: Travis Dennington
P: 404.835.2610 Office
Cel 214-455-3552
E: TEXTILEREP@aol.com

REP FIRM:

SPEC NO: **CP-602B**

DESCRIPTION: Fabric for Sheer Panels

Pattern: NFP Bridge Sheer
Color: Oatmeal
Content: 100% Polyester
Width: 116"
Repeat: 0.08" Horizontal / 0" Vertical
Railroaded: Yes
Codes: Passes NFPA 701 Inherently

Fabrication to be in accordance with IHG standards as stated in the FF&E Construction and Specification Guidelines and as follows:

NOTES:

1. Refer to CG-602 for drapery fabrication.
2. Fabric must be of contract quality and suitable for commercial use.
3. Products must meet or exceed all applicable state & local codes.
4. Per manufacturer, fabric meets or exceeds the following: Passes NFPA 701 Inherently
5. Manufacturer to ship all excess fabric to property for attic stock.
6. Fabric must be treated for fire retardancy or meet applicable fire codes.
7. No products shall infringe on any third party patents, copyrights, trademarks or other intellectual property rights.



Not for Color / Not to Scale / Design Intent Only

QUANTITY: TBD **UNIT COST:** \$ TBD **TOTAL COST:** \$ TBD

ISSUE DATE: 10/21/11 **REVISION DATE:** **REV. NO:** **SPEC NO:** **CP-602B**

All orders must be marked as specified by IHG. All installed fabrics, upholstery, carpet, wallcovering, and other finish materials must meet local fire codes and regulations. Manufacturer must provide flame certificate to owner/purchaser at time order is shipped. Fabricator and/or installer must confirm the exact quantities required. All substitutions must be approved by IHG prior to ordering. Manufacturers must provide maintenance instructions. All shop drawings, finish samples, artwork and/or strike-offs must be submitted to IHG, for approval prior to production.

**Candlewood Suites – Standardized Room Decor
Haven Scheme – Public Area**

InterContinental Hotels Group

Design & Construction
Three Ravinia Drive, Suite 100
Atlanta, GA 30346

AREA: Cupboard, Administration Area

MANUFACTURER:

Interlam Design
1805 Red Bank School Road
Claudville, VA 24076
Attn: Tonya Wise
P 276.251.5300
E tonya@interlam-design.com

REP FIRM:

David Strauss and Associates
Attn: David Strauss
P 770.664.7732
F 770.664.7829
E dastrauss@bellsouth.net
www.davidstraussassociates.com

SPEC NO: CP-603

DESCRIPTION: Architectural Screen at Cupboard Window and Low Wall behind Registration Desk

PRODUCT CODE: HSPVT SCREEN

PATTERN DEPTH: Thru Cut

MIN. REC. PANEL THICKNESS: 19MM

PATTERN REPEAT TYPE: Repeating (4'-0" x8'-0")

COLOR: Anthracite

CONTENT: Valchromat 19MM

DIMENSIONS: Overall Dimensions of HSPVT Screen: 48" x 96" x 0.75"

Fabrication to be in accordance with IHG standards as stated in the FF&E Construction and Specification Guidelines and as follows:

NOTES:

1. Refer to image below for screens.
2. Product to be of contract quality and suitable for commercial use.
3. Refer to prototype elevations for additional information.
4. Window dimensions to be field verified by General Contractor prior to ordering material.
5. Refer to CG-PT-3 for accent paint at screens.
6. Refer to drawings for location.



Not to Scale / Not for Color / Design Intent Only

QUANTITY: TBD

UNIT COST: \$ TBD

TOTAL COST: \$ TBD

ISSUE DATE:

10/21/11

REVISION DATE:

REV. NO:

SPEC NO:

CP-603

All orders must be marked as specified by IHG. All installed fabrics, upholstery, carpet, wallcovering, and other finish materials must meet local fire codes and regulations. Manufacturer must provide flame certificate to owner/purchaser at time order is shipped. Fabricator and/or installer must confirm the exact quantities required. All substitutions must be approved by IHG prior to ordering. Manufacturers must provide maintenance instructions. All shop drawings, finish samples, artwork and/or strike-offs must be submitted to IHG, for approval prior to production.

**Candlewood Suites – Standardized Room Decor
Haven Scheme – Public Area**

InterContinental Hotels Group

Design & Construction
Three Ravinia Drive, Suite 100
Atlanta, GA 30346

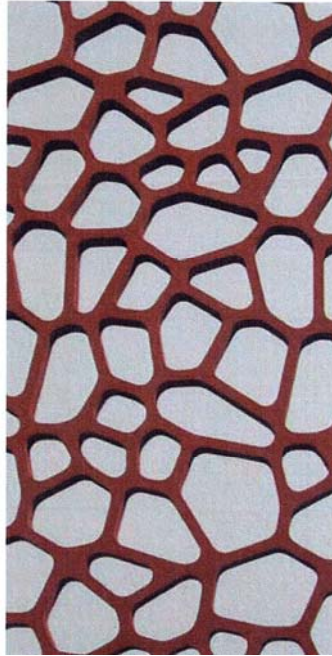
AREA: Cupboard, Administration Area



Screens®

We are pleased to introduce a new line of architectural "screens" to the Art Diffusion line. "Screens" are available in core materials that can meet your strictest environmental product requirements while maintaining your unique design intent. All Sustainable Products meet or exceed the most stringent global emission standards and are made with 100% recycled wood fiber, including Post-Consumer Recycled Wood Fiber. Our core materials are third party certified by SCS and EPP, and have been approved by the Collaborative for High Performance Schools by passing the rigorous California Section 01350 testing.

[Back to Previous Search](#)



Product Specifications

Product Code	HSPVT Screen
Pattern Depth	Thru cut
Min. Rec. panel thickness	19mm
Pattern Repeat Type	Repeating (4 x 8)

Notes: Inquire for other size possibilities

 [View Our Installation Gallery](#)

Not to Scale / Design Intent Only

QUANTITY: TBD

UNIT COST: \$ TBD

TOTAL COST: \$ TBD

ISSUE DATE:
10/21/11

REVISION DATE:

REV. NO:

SPEC NO:

CP-603

All orders must be marked as specified by IHG. All installed fabrics, upholstery, carpet, wallcovering, and other finish materials must meet local fire codes and regulations. Manufacturer must provide flame certificate to owner/purchaser at time order is shipped. Fabricator and/or installer must confirm the exact quantities required. All substitutions must be approved by IHG prior to ordering. Manufacturers must provide maintenance instructions. All shop drawings, finish samples, artwork and/or strike-offs must be submitted to IHG, for approval prior to production.