

MEASURE & INSTALL

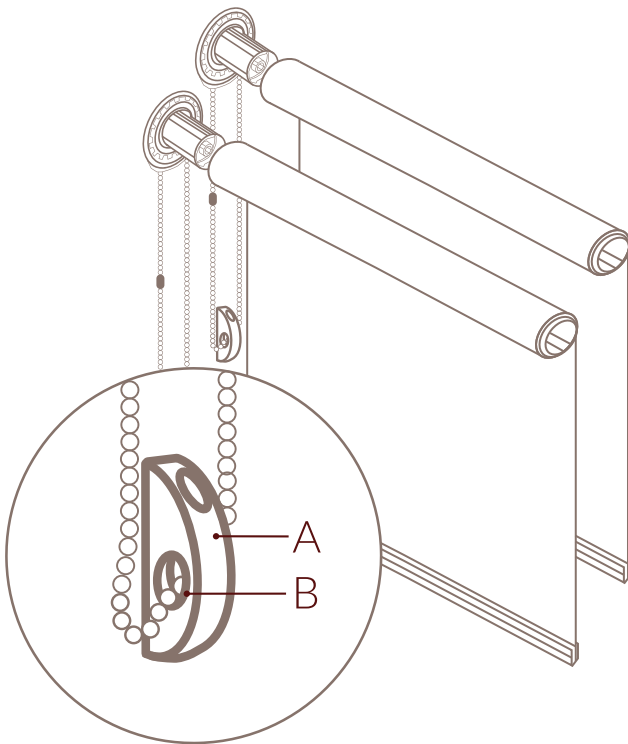
# CHAIN RETAINER

RESOURCE

## THINGS TO KNOW

As required by ANSI/WCMA, all commercially installed treatments must be accompanied by a chain retainer affixed to the window opening, prohibiting access to a loose chain.

For functionality and safety purposes, we suggest that chain be installed so that lowest bead is resting at the bottom of chain retainer opening, as shown in drawing below.



A. CHAIN RETAINER

B. CHAIN RETAINER OPENING



- Please keep in mind that if the chain retainer is installed with too much tension on the chain, it will be prone to break when used by guests.
- Also, do not install the retainer too loose, as that violates The American National Standard for Safety of Corded Window Covering Products (Child Safety).



# QUILT CRAFT